

CBI 5113

AUG 2012

# GIB® RONDO® METAL BATTEN SYSTEMS

SYSTEM AND INSTALLATION MANUAL





# GIB® Rondo® Metal Batten Systems

## Specification and installation guide

- Suitable for Residential and some commercial applications
- GIB® Rondo® metal battens are the recommended system for use in ceilings in conjunction with 13mm GIB® plasterboard
- Easy to install; achieve a flat and true ceiling
- A stable substrate that reduces the risk of costly call backs

### **GIB® Rondo® Metal batten systems**

Winstone Wallboards accepts no liability if the system is not installed in strict accordance with the instructions contained in this publication.

### **Use only the current specification**

This publication may be superseded by a new publication. Winstone Wallboards accepts no responsibility for reliance on superseded publications. Call 0800 100 442 or visit [www.gib.co.nz](http://www.gib.co.nz) to confirm the currency of the publication.

### **Beware of substitution**

The performance of GIB® Rondo® Metal batten systems is very sensitive to design detailing and specification. It is important that only GIB® Rondo® branded products are used in the systems contained in this publication. No responsibility will be accepted for alternative manufacturers product.

### **Customised design solutions**

The systems detailed in this publication should cover most commonly encountered situation. For projects where specific performance is required please contact our technical support team on 0800 100 442.



<b>Introduction.....</b>	<b>3</b>
Why Metal? .....	3
<b>GIB® Rondo® 310 Ceiling Batten System.....</b>	<b>4-5</b>
GIB® Rondo® 310 Ceiling Batten System.....	4-5
GIB® Rondo® 310 Span Tables .....	5
<b>GIB® Rondo® 308 Ceiling Batten System.....</b>	<b>6-7</b>
GIB® Rondo® 308 Ceiling Batten System.....	6-7
GIB® Rondo® 308 Span Tables .....	7
<b>GIB® Rondo® Components .....</b>	<b>8-9</b>
GIB® Rondo® Ceiling Diaphragms.....	8
GIB® Rondo® Wall Strapping Systems .....	8
GIB® Rondo® and Noise Control .....	9
<b>Suspended Ceiling Systems.....</b>	<b>10-11</b>
<b>Notes .....</b>	<b>12</b>

**WHY METAL?**

A large proportion of ceiling defects such as peaking or cracked joints and popped fasteners can be attributed to movement in the substrate. Timber ceiling substrates are more prone to temperature or moisture induced movement and shrinkage. These issues tend to impact on the surface of the plasterboard and can result in call-backs. Metal ceiling batten systems provide a stable substrate for plasterboard ceiling linings. Regular users of metal batten systems consistently have fewer call-backs for movement related ceiling defects such as peaking or cracked joints and popped fasteners. Once builders change to GIB® Rondo® metal battens they appreciate the simple installation methodology and enjoy reduced callbacks. Very few, if any, revert back to using timber.

**Benefits of steel battens include;**

- **Consistent performance**
  - Less influence from moisture or environmental factors than timber. Unlike timber battens which can vary in grade, species with temperature and humidity, the performance of GIB® Rondo® metal battens is consistent throughout New Zealand
- **Lighter weight**
  - Lower transport costs and easier to handle on site
- **Require less storage space**
  - Storage space is often at a premium on building sites and a house-lot of GIB® Rondo® componentry will occupy substantially less space on site than timber battens
- **Easy to achieve a flat, stable substrate**
  - This results in a trouble free ceiling and reduces the risk of costly call-backs

**Benefits of GIB® Rondo® metal batten systems**

- **Versatility**
  - The extensive componentry range provides solutions to a multitude of situations
- **Technical back up**
  - Our well established and highly rated technical team are available to quickly and efficiently handle any enquiries, call us on 0800 100 442
- **Flexibility**
  - GIB® Rondo® metal batten systems can be used on residential and some commercial ceilings. Components are also available for use in wall strapping situations and have been tested and approved for use in GIB® noise control systems

There are two systems to select from;

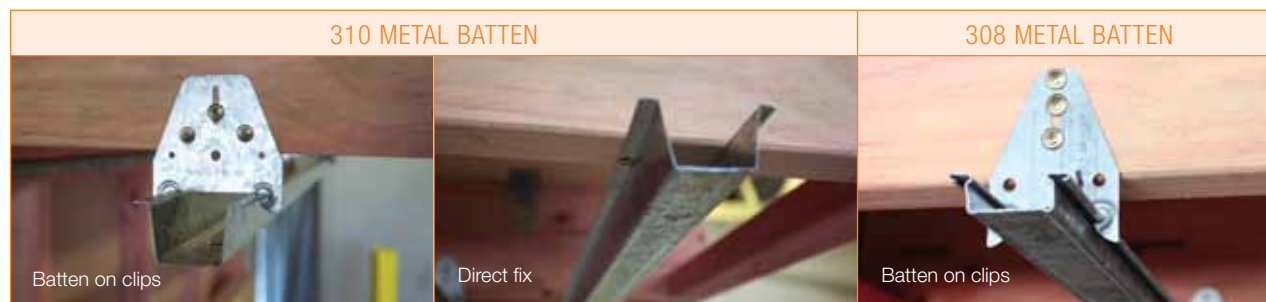
**GIB® Rondo® 310 metal batten system – (35mm battens)**

The GIB® Rondo® 310 metal batten system comprises a 35mm deep batten. The recommended method of fixing is to use clips as illustrated below.

This provides a flat substrate for the plasterboard ceiling as it is able to compensate for any deviations in the framing. If the substrate is consistently flat the battens can be attached directly to the underside of the framing.

**GIB® Rondo® 308 metal batten system – (16mm battens)**

The GIB® Rondo® 308 ceiling batten is a light weight system based on a 16mm deep batten fixed to a clip attached to the ceiling framing as shown.



**IMPORTANT NOTE:**  
 Manufactured from 0.55BMT steel with a Z275 coating exceeding the NZBC durability requirements for interior use



GIB® RONDO® 310 CEILING BATTEN SYSTEM

The GIB® Rondo® 310 system forms a strong, stable and flat substrate for ceilings in residential and commercial applications. The 35mm dimension allows it to be directly substituted into ceilings where 35mm timber battens would traditionally have been used. Consult an electrical contractor for any earthing requirements that may need to be incorporated. There are two methods of fixing GIB® Rondo® 310 metal battens.

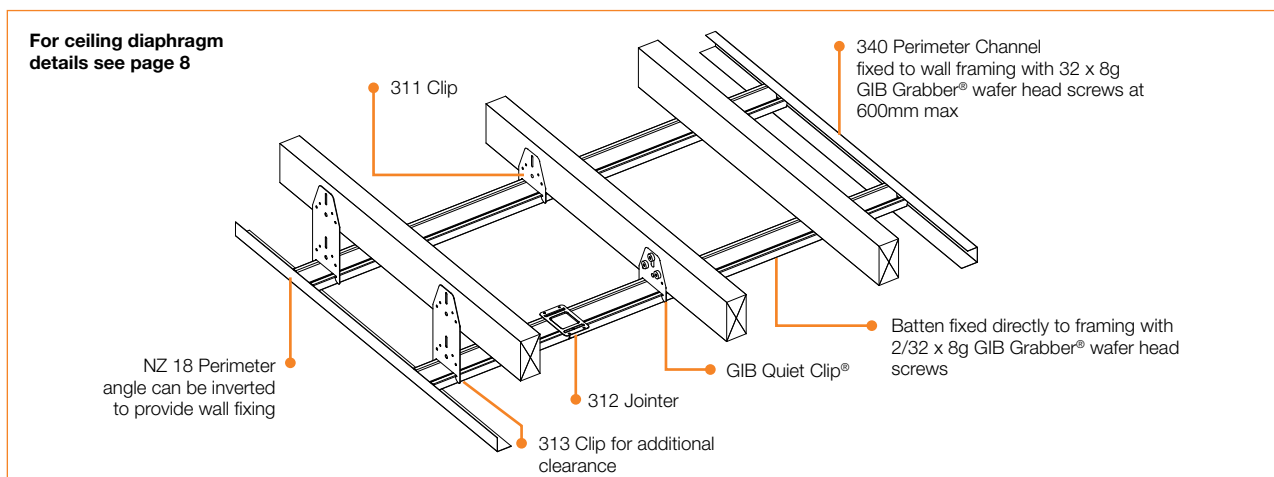
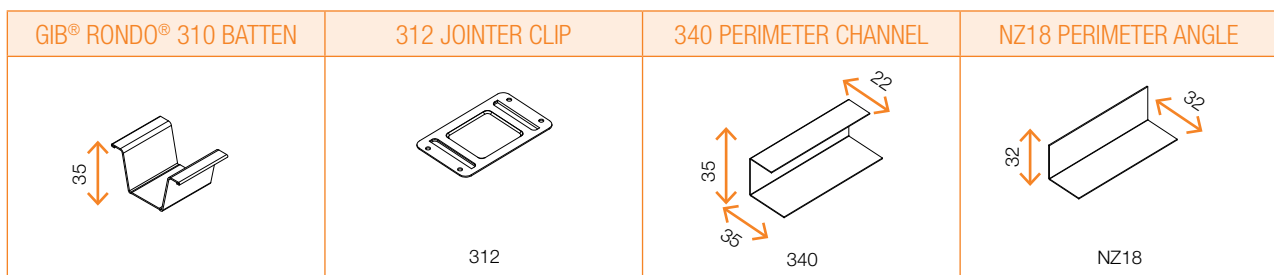
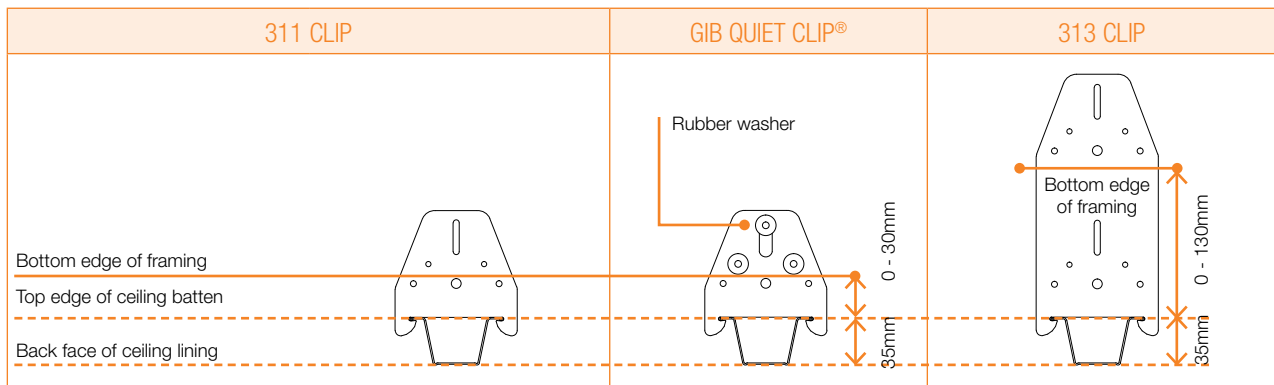
**Recommended method**

Clipped using either;

- 311 clip for a drop of 0-30mm
- 313 clip where a larger drop is required between the bottom of the truss chord, joist or rafter and the back of the ceiling batten a drop of up to 130 mm can be achieved in order to accommodate services or variations in framing heights
- GIB Quiet Clip® for use in GIB® Noise control systems

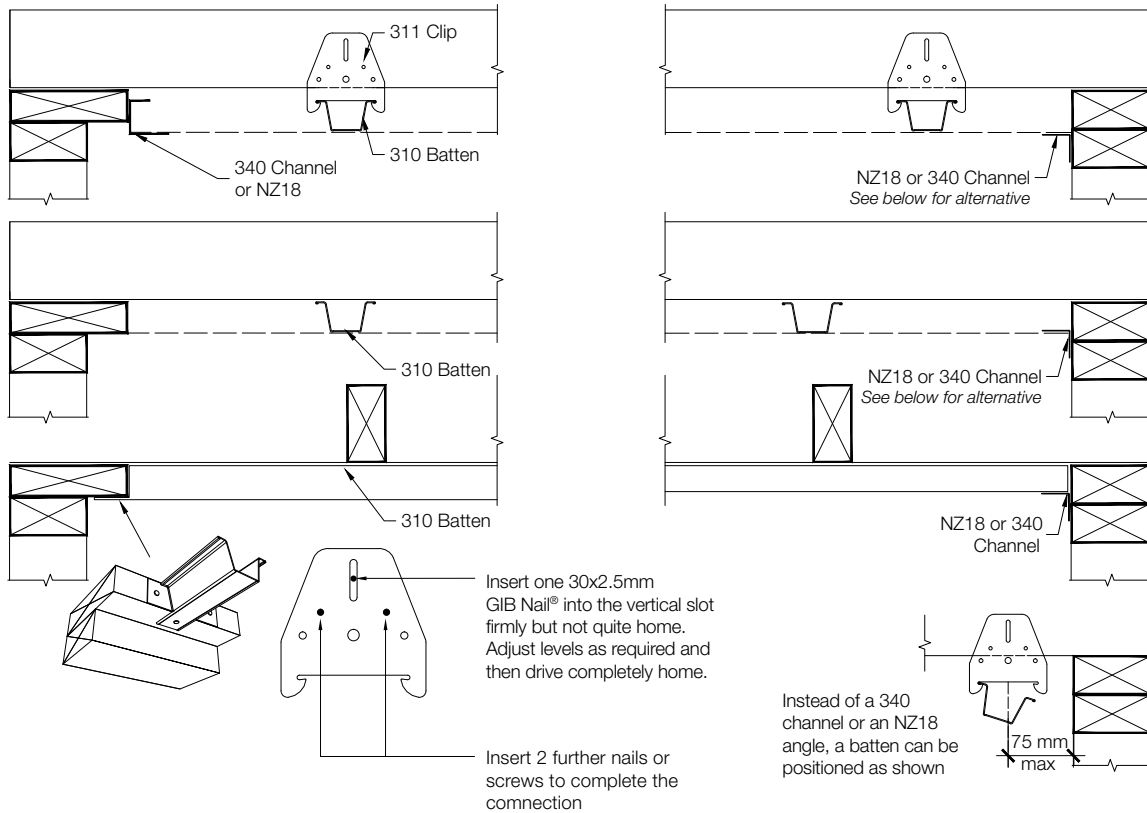
**Alternative method**

- Directly by fastening with pairs of min GIB Grabber® 32mm x 8g wafer head screws through the flange (consult span tables pg 5)
- Alternatively pairs of min 45mm x 2.8mm FH nails can be used
- For fixing to steel framing a drill tip screw is recommended



**GIB® RONDO® METAL BATTEN SYSTEM INSTALLATION INSTRUCTIONS**

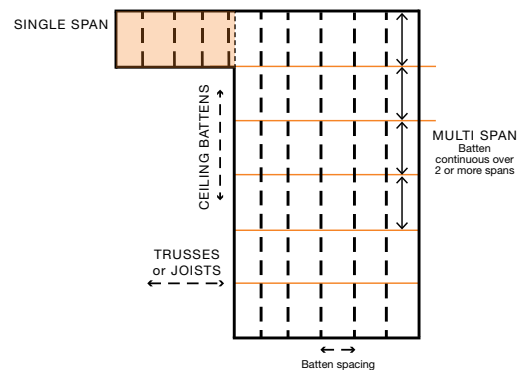
Consult an electrical contractor for any earthing requirement that may need to be incorporated



- Establish a datum line for the ceiling
- Place a string line on the datum line at right angles to the battens, under the truss or joist closest to the centre of the room
- Install GIB® Rondo® clips at 600mm centres (450mm for 10mm plasterboard) using the string line to establish the correct position
- Cut the batten to the required length using snips or a hacksaw
- Insert the batten into the channel at each end and fit into the clip
- Install remainder of clips ensuring that the batten is straight and flat

GIB® Plasterboard thickness Single layer	Maximum batten spacing (mm)	Multi Span (mm)	Single Span and Garages (mm)
10mm	450	1200	900
13mm	600		

For situations not covered by this chart please contact the GIB® Helpline on 0800 100 442





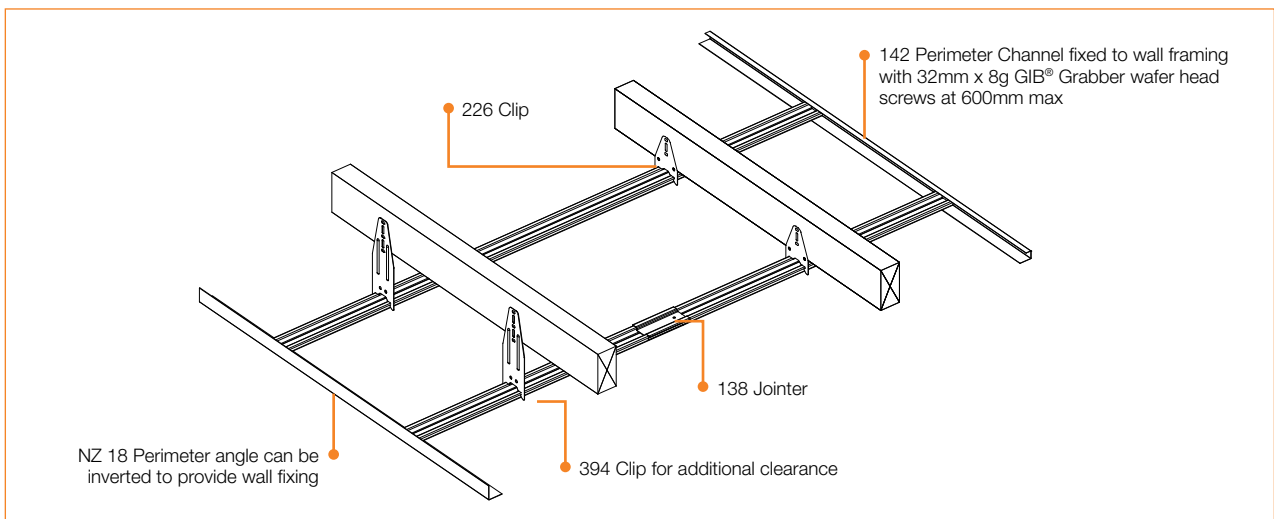
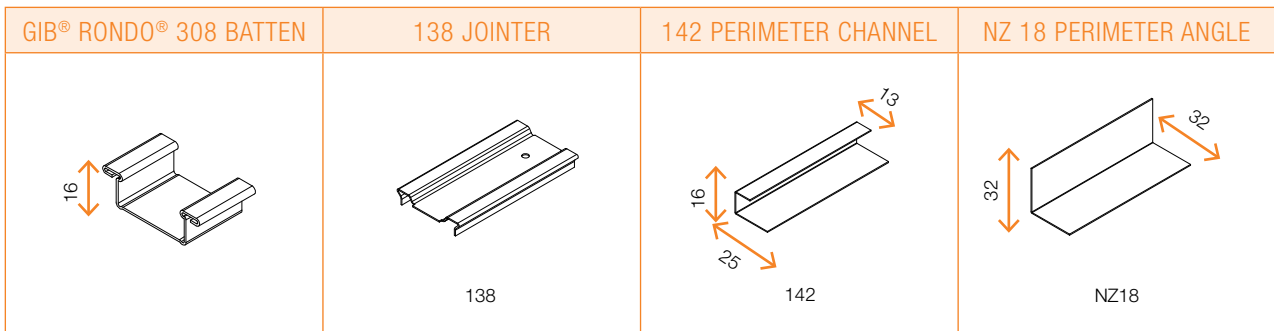
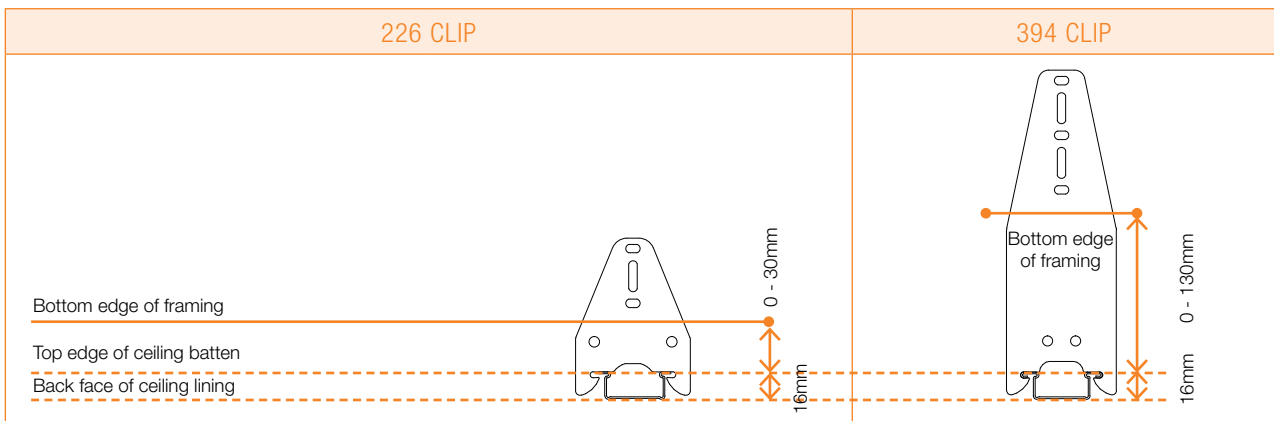
GIB® RONDO® 308 METAL BATTEN SYSTEM

The GIB® Rondo® 308 system is a light weight yet very strong ceiling batten. In addition to its function as a ceiling batten it can also be used as a wall furring channel and is an integral part of GIB® Noise control systems. See page 9 for details. Consult an electrical contractor for any earthing requirements that may need to be incorporated.

The GIB® Rondo® 308 system is installed using either;

- 226 clip for a drop of 0-30mm
- 394 clip where a larger drop is required between the bottom of the truss chord, joist or rafter and the back of the ceiling batten. Up to 130 mm clearance between the bottom of the framing and the back of the batten of can be achieved in order to accommodate services or variations in framing heights

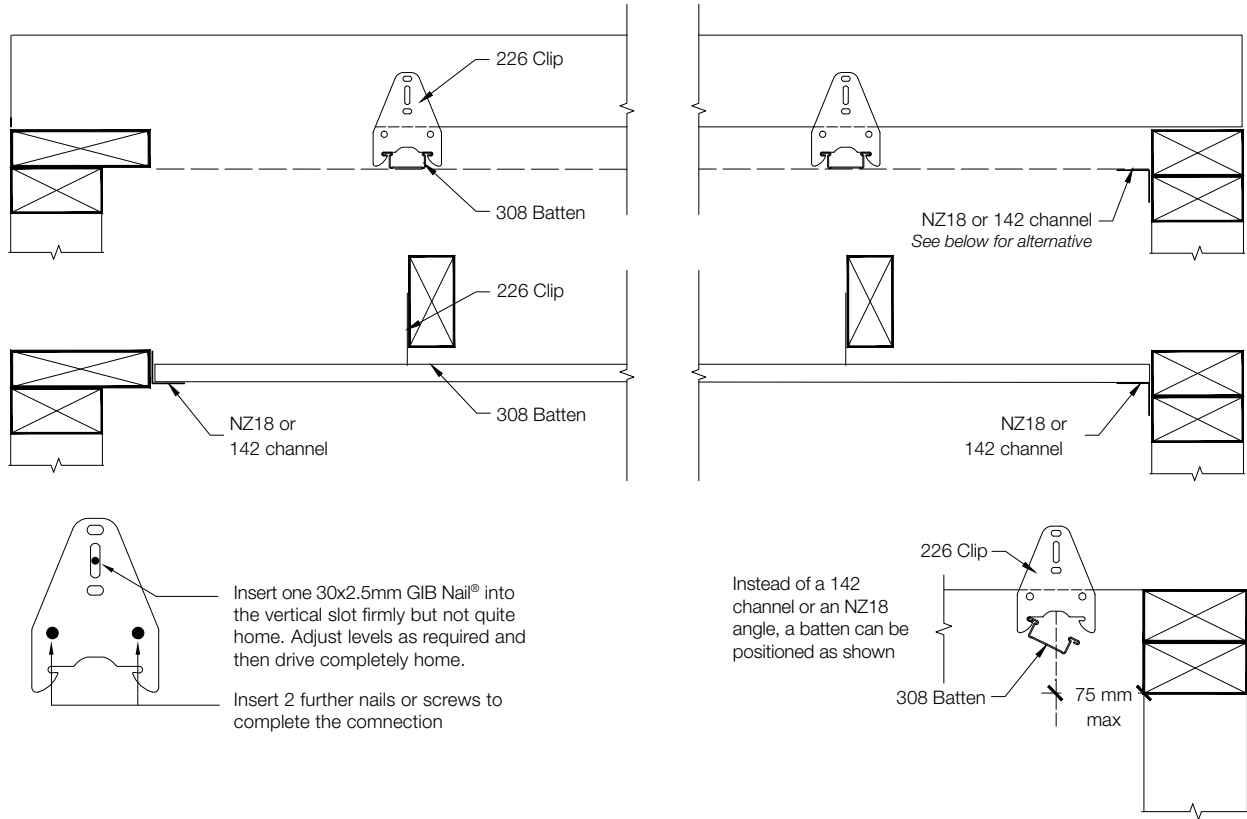
**Note:** If the 308 system is to be used in a ceiling diaphragm, the batten needs to be secured directly to the framing. See page 8 for details.





GIB® RONDO® METAL BATTEN SYSTEM INSTALLATION INSTRUCTIONS

Consult an electrical contractor for any earthing requirement that may need to be incorporated.

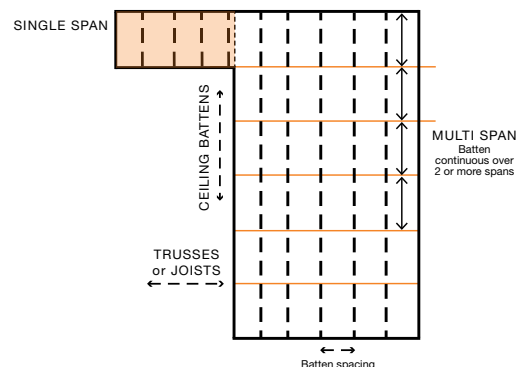


- Establish a datum line for the ceiling
- Place a string line on the datum line at right angles to the battens, under the truss or joist closest to the centre of the room
- Install GIB® Rondo® clips at 600mm centres (450mm for 10mm plasterboard) using the string line to establish the correct position
- Cut the batten to the required length using snips or a hacksaw
- Insert the batten into the channel at each end and fit into the clip
- Install remainder of clips ensuring that the batten is straight and flat

**GIB® Rondo® 308 Batten Span Table for Residential Internal Applications**

GIB® Plasterboard thickness Single layer	Maximum batten spacing (mm)	Multi Span (mm)	Single Span and Garages (mm)
10mm	450	1200	900
13mm	600		

For situations not covered by this chart please contact the GIB® Helpline on 0800 100 442





**Ceiling Diaphragms using GIB® Rondo® Metal Battens**

GIB® Rondo® metal batten systems may be used in ceiling diaphragms as required for GIB Ezybrace® systems provided that;

- The batten is either fixed directly to the underside of the ceiling framing OR
- The batten is fixed to a block or continuous member that has been securely attached to the ceiling framing with 4x90mm nails (minimum)

**NOTE:** It is not acceptable to install a ceiling diaphragm on clips without additional support as shown below:

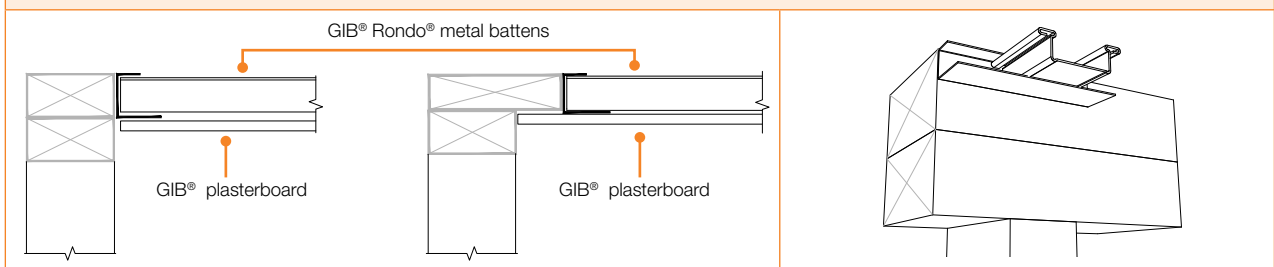


Timber block (min 300mm) or continuous member alongside framing

GIB® Rondo® batten to be fixed with 32mm x 6g GIB® Grabber® screw through both flanges.

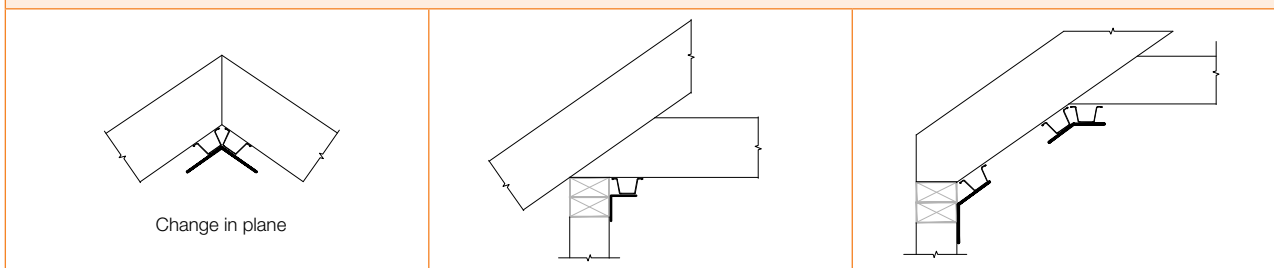


**CEILING DIAPHRAGM PERIMETER**



Perimeter channel, (340, 142 or 140) to be fixed with 32mm x 8g GIB® Grabber® wafer head screws at 300mm centres

**CHANGE IN PLANE**



Changes in plane can be achieved by attaching a folded metal angle to the junction.

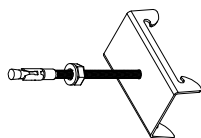
- Minimum 0.55mm BMT
- Fastened on each edge using 2.8mm x 30mm GIB® Nails or 32mm x 8g GIB® Grabber® wafer head screws at 300mm centres
- Plasterboard linings to be fastened to each edge of the folded angle at 150mm centres

**GIB® Rondo® wall strapping systems**

In addition to the ceiling batten function the GIB® Rondo® 308 batten system can be used as a wall strapping channel for masonry or concrete wall construction. The adjustable length masonry anchor allows insulation to be installed if required.

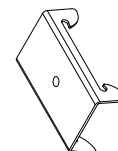
**A239 CLIP**

Threaded hole,  
Masonry anchor included  
(100mm or 180mm)



**237 CLIP**

Unthreaded hole,  
No masonry anchor included  
Suitable for timber or masonry application





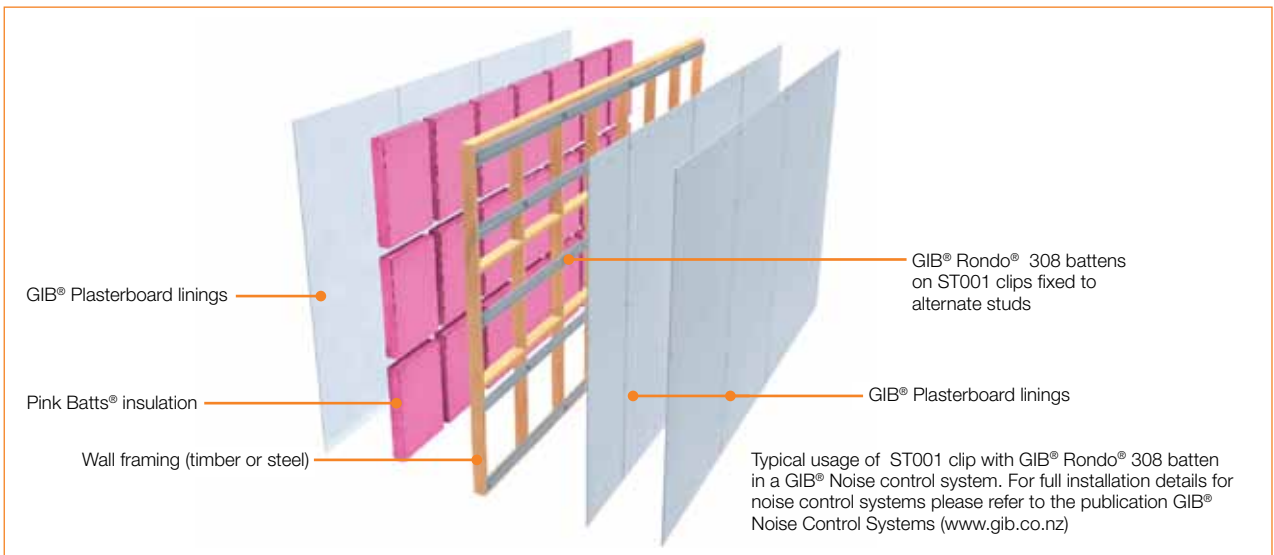
The A239 clip can be used in conjunction with the 308 batten to provide an effective wall strapping solution. If required polystyrene insulation can be fitted over the anchor bolts. A239 clips should be spaced at 1200mm centres vertically (max) and 600mm centres horizontally (max).



**GIB® Rondo® and Noise Control**

GIB® Rondo® metal batten systems play an important part in GIB® Noise control systems.

GIB QUIET CLIP®	ST001 ACOUSTIC MOUNT
 <p>The GIB Quiet Clip® has rubber grommets that provide isolation between the ceiling and the ceiling framing. Installation is the same as for the 311 clip.</p>	 <p>The ST001 clip has a threaded rubber washer to provide isolation from the wall framing. The thread allows the clip to be adjusted to compensate for framing deviations. The clip accepts the GIB® Rondo® 308 batten. This is a high performing noise control system and can deliver STC ratings up to 62.</p>





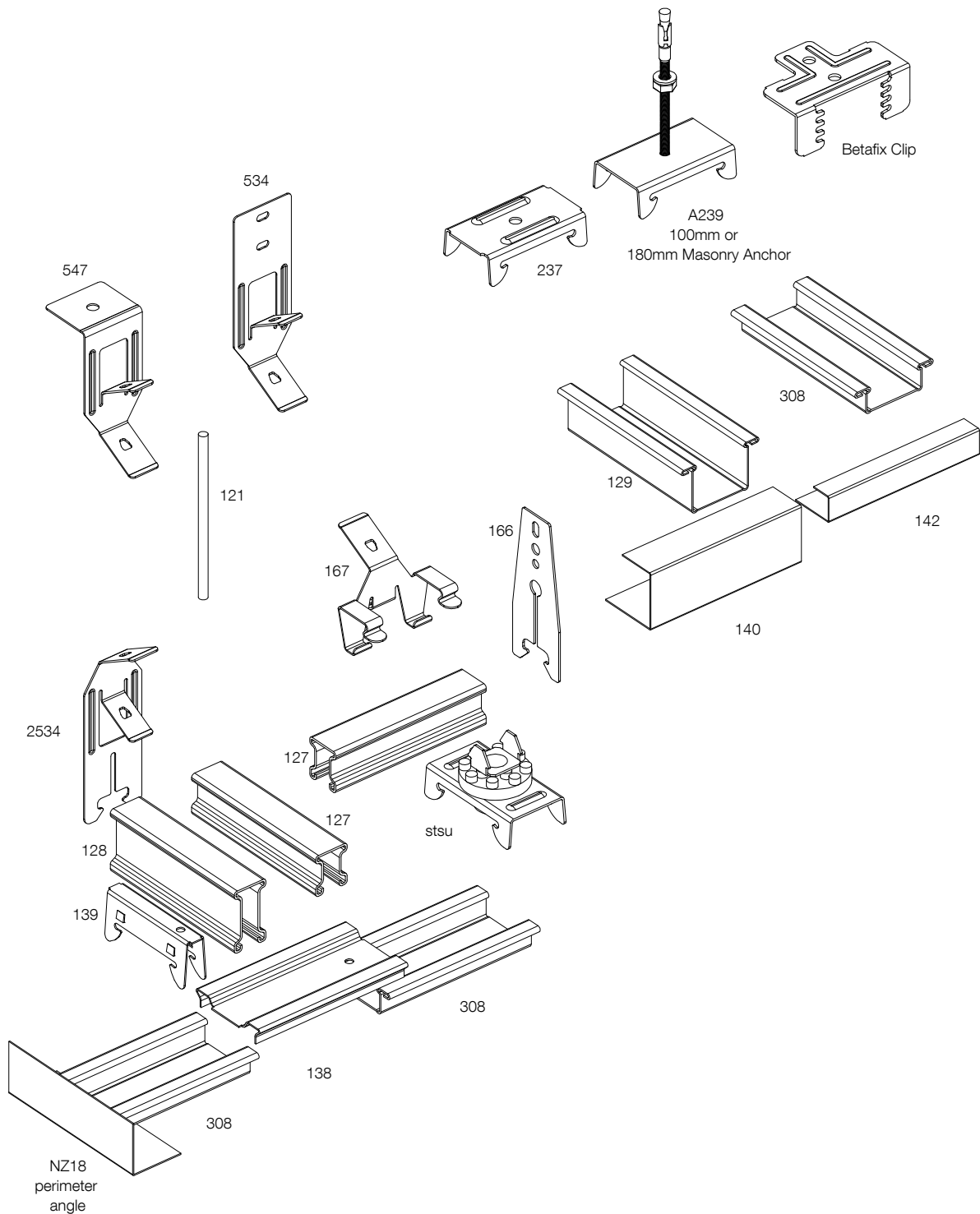
Suspended ceiling layout and spans are subject to specific design. For further information please contact the GIB® Help line on 0800 100 442

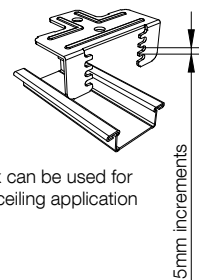
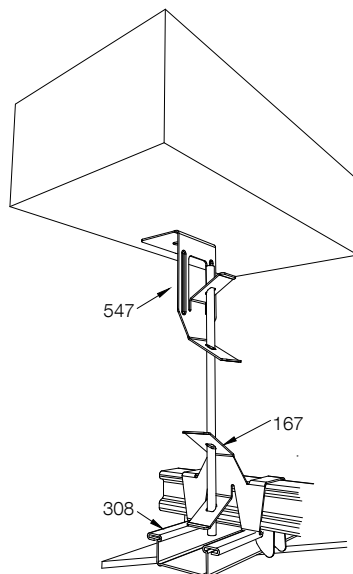
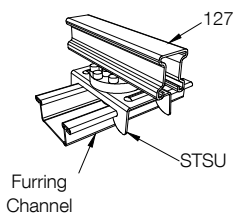
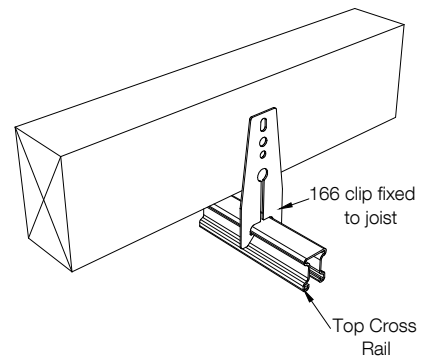
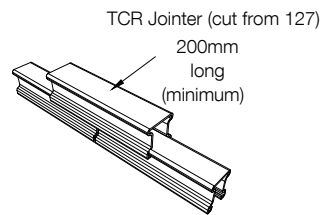
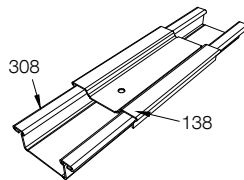
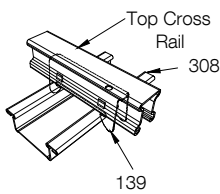
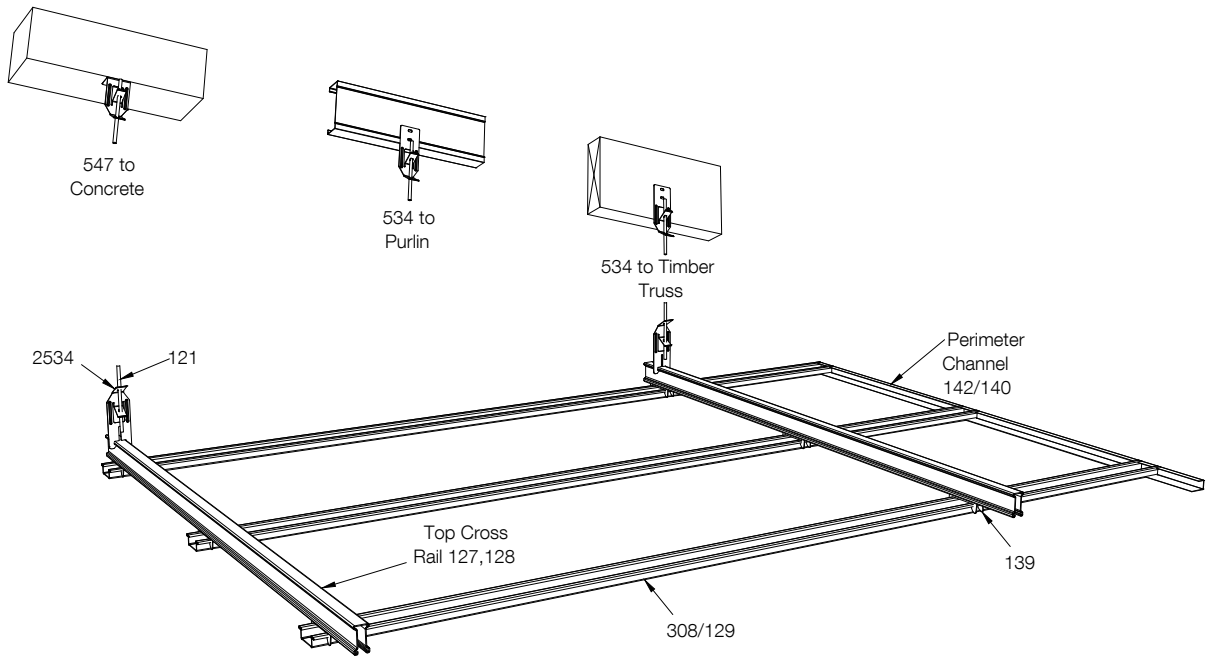
The range of GIB® Rondo® suspended ceiling componentry provides additional clearance above the ceiling level. This could be to run electrical, plumbing or ventilation equipment. The system allows for the ceiling lining material to be directly attached to the lower face of the battens. This is not to be confused with a two way grid system which accommodates proprietary ceiling tiles.

The components can be assembled in a wide range of combinations to suit a variety of applications.

Curved ceilings can also be created by curving the Top Cross Rail (TCR) and attaching the batten to the TCR.

For details on curving componentry contact the GIB® Helpline on 0800 100 442.





Betafix can be used for wall or ceiling application



## **GIB Products**

Manufactured by Winstone Wallboards Ltd. Distributed nationwide by authorised distributors.

## **Trademarks**

The names GIB®, GIB Ultraline®, GIB Toughline®, GIB Noiseline®, GIB Braceline®, GIB Aqualine®, GIB Wideline®, GIB Fyreline®, GIB Soundseal®, GIB Cove®, GIB Rail®, GIB Tradeset®, GIB Handibrac®, the colour mauve for GIB Toughline® and the colour blue for GIB Braceline®, GIB Living Solutions®, GIB Living®, GIB Dry Zone®, GIB Tough Zone®, GIB Feature Zone®, GIB Fix®, GIB Quiet Zone® and EzyBrace® are all trademarks of Fletcher Building Holdings Ltd

## **GIB Helpline - Call Free**

**0800 100 442**

## **Free Facsimile**

**0800 229 222**

## **Website**

**[www.gib.co.nz](http://www.gib.co.nz)**

## **Auckland**

P.O Box 12 256 Penrose. Telephone 09 - 633 0100

Facsimile 09 - 633 0101

Copyright © Winstone Wallboards Ltd, 2012

Printed in New Zealand using mineral-oil-free inks on environmentally responsible Media Satin using PEFC pulp from a mill that is EMAS accredited and ISO 14001 certified.



## **Winstone Wallboards Limited**

37 Felix Street, PO Box 12256  
Penrose, Auckland, New Zealand  
Phone 64-9-633 0100, Facsimile 64-9-633 0101  
Website: [www.gib.co.nz](http://www.gib.co.nz)  
Email: [info@gib.co.nz](mailto:info@gib.co.nz)

GIB® Helpline: 0800 100 442  
Facsimile: 0800 229 222